



ACS5000 Panel (A/E/S) Installation Manual

Rev 1

Legal Disclaimers

Federal Communications Commission (FCC) Compliancy

This equipment has been tested and found to comply with the limits for a Class B digital device, pursuant to Part 15 of the FCC Rules. These limits are designed to provide reasonable protection against harmful interference in a residential installation or when the equipment is operated in a commercial environment. This equipment generates, uses, and can radiate radio frequency energy and, if not installed and used in accordance with the instruction manual, may cause harmful interference to radio communications. However, there is no guarantee that interference will not occur in a particular installation. If this equipment does cause harmful interference to radio or television reception, which can be determined by turning the equipment off and on, the user is encouraged to try to correct the interference by one or more of the following measures:

- Re-orient or relocate the receiving antenna (panels using cellular routers only).
- Increase the distance between the equipment and receiver.
- Connect the equipment to a circuit *other* than the one to which the receiver is connected.
- Consult the dealer for help.

Underwriter Laboratories (UL) Compliance

The ACS5000 complies with the UL 294 Standard for access control units with the following restrictions:

- The Ethernet port is for supplemental use only. The unit will continue to operate standalone if the network connection is interrupted.
- The monitoring software is not UL evaluated.

Canada-Underwriters Laboratories (C-UL) Compliancy

For C-UL Listed applications, the unit shall be installed in accordance with Part 1 of the Canadian Electrical Code.

Parts and Service

The ACS5000 control panel contains no user serviceable parts. The lithium battery is not serviceable and is to be replaced by qualified service technicians only.

Documentation Disclaimer and Restrictions

Information in this document is subject to change without notice and does not represent a commitment on the part of Brivo Systems LLC. For the most up-to-date information, visit www.brivo.com and click Dealer Login to gain access to the Extranet.

This document and the data herein shall not be duplicated, used or disclosed to others for procurement or manufacturing, except as authorized with the written permission of Brivo System LLC. The information contained within this document or within the product itself is considered the exclusive property of Brivo Systems LLC. All information in this document or within the hardware and software product themselves is protected by the copyright and/or other intellectual property laws of the United States.

Activation of Services Agreement

Any use of this product is subject to the activation of the Brivo Systems LLC., Services Agreement. Please request a copy from Brivo Systems LLC., and review this agreement carefully.

© 2017 Brivo Systems LLC. All rights reserved.

Brivo® is a registered trademark of Brivo Systems LLC. Brivo Systems LLC., 7700 Old Georgetown Road, Suite 300, Bethesda, MD 20814

Table of Contents

INTRODUCTION.....4
PRE-INSTALLATION PROCEDURES.....6
FOR ACS5000-E PANELS USING THE BRIVO CELLULAR NETWORK ROUTER 12
GENERAL ASSEMBLY PROCEDURES 13
POWERING AND TESTING PROCEDURES 18
INSTALLATION PROCEDURES20

Introduction

Document Objectives

This Installation Manual provides step-by-step instructions for installing the Brivo ACS5000 control panel. Its primary audience is trained access control installation technicians (Installers) who are responsible for installing the ACS5000 at client sites.

The manual is also intended for IT personnel, who should use it in conjunction with the Panel Networking Admin Interface Guide. It may be used by dealers and their sales professionals to help them conduct pre-sales, and to provide client support during the installation process. Finally, it may be used for in-house training purposes and ongoing support.

Document Layout

This manual is organized into a series of procedural checklists, detailing steps you must follow to ensure a safe and effective installation. The main sections of the manual are:

- Pre-Installation Procedures
- General Assembly Procedures
- Power and Testing Procedures
- Installation Procedures

Terminology

Following is a list of terms that are used throughout this document. While some of these terms may have other meanings, the definitions provided below are the ones intended in this *Installation Manual*.

- *Control chassis*. The main chassis for a control panel. The control chassis contains the MAIN BOARD, and may also contain one expansion board, either a DOOR BOARD or an INPUT OUTPUT BOARD (if using a standard chassis) or three expansion boards in any combination of DOOR BOARDS or INPUT OUTPUT BOARDS (if using a large chassis).
- *Expansion chassis*. Additional chassis, containing one or two expansion boards, either DOOR BOARDS and/or INPUT OUTPUT BOARDS.
- *Large expansion chassis*. Additional chassis, containing up to four expansion boards, either DOOR BOARDS and/or INPUT OUTPUT BOARDS.
- *Control panel*. The complete system of control chassis and expansion chassis for an account. A control panel will have the MAIN BOARD (contained in the control chassis) and a number of additional expansion chassis (standard or large) to hold a maximum of 14 additional DOOR BOARDS and/or INPUT OUTPUT BOARDS (for a total maximum of 15 boards).
- *Access control system (ACS)*. The complete interaction between a control panel, the Brivo product (OnAir, OnSite, or OnSite Server) and in the case of Brivo OnAir, the Brivo OnAir cloud server.
- *Brivo OnAir®*. Brivo's cloud based software application which enables the end user to manage his or her Brivo OnAir account.
- *Brivo OnAir Cloud Server*. The off-site servers, hosted by Brivo, that are used to store an account's database. Configuration and maintenance of the control panel is managed through Brivo OnAir.
- *Brivo OnSite*. Brivo's standalone software application which enables an end user to manage his or her Brivo Onsite account.
- *Brivo OnSite Server*. Brivo's appliance-based application which enables the end user to manage his or her Brivo OnSite Server account.

Wiring Recommendations

| Signal | Belden # or Equivalent | AWG | Twisted Pair | Conductor | Shielded? | Max Length |
|-------------------------|------------------------|-------|--------------|-----------|-----------|-------------|
| Power (22 gauge) | 5504FE | 22 | Yes | | Yes | 600 ft |
| Power (18 gauge) | 6300FE | 18 | Yes | | Yes | 1500 ft |
| RJ45-Ethernet (CAN Bus) | N/A | Cat5 | Yes | | Yes | 1500 ft |
| Fire Alarm Relay | 6300FE | 18 | Yes | | Yes | 1500 ft |
| Request-to-Exit | 5520FE/6300FE | 22/18 | Yes | | Yes | 1500 ft |
| Door Contact | 5500FE | 22 | Yes | | Yes | 1500 ft |
| Transformer Block | 6300FE | 18 | Yes | | Yes | 1500 ft |
| Molex Connector | N/A | 22 | Yes | | No | 1 ft |
| Earth ground | N/A | 6 | | Yes | Yes | 20 to 40 ft |
| Reader Data 1 | 5504FE | 22 | | Yes | Yes | 250 ft |
| Reader Data 2 | 5400FE | 20 | | Yes | Yes | 300 ft |
| Reader Data 3 | 6300FE | 18 | | Yes | Yes | 500 ft |

Additional Resources

The following additional resources are available for the installer as well as the client.

- [Networking Admin Interface Guide](#)
- [Reader/Keypad Wiring Guide](#)
- [Installation Worksheet: Network](#)
- [Installation Worksheet: Door Board](#)
- [Installation Worksheet: Input Output Board](#)
- [Brivo OnAir Quick Start Guide](#)
- [Brivo Cellular Network Router Configuration Guide](#)
- [Brivo OnSite Quick Start Guide](#)
- [Brivo OnSite Server Quick Start Guide](#)
- Technical Support: 1-866-BRIVO-4-U
- www.brivo.com

Pre-Installation Procedures

Before you begin installing the Brivo control panel, perform the following tasks to ensure a safe, speedy, and successful installation.

Understand the function of the Brivo ACS5000 control panel (A/E/S).

The ACS5000-E, ACS5000-A, and ACS5000-S are four (4) reader control panels with multiple access points (up to four readers per chassis). This control panel is considered a standalone system. The main board has two (2) readers on-board, and one additional expansion board can be integrated with the main board which will form the four (4) reader panel. Additional expansion panels (ACS5000-EXP) can connect to the main control panel with two expansion boards in each. Each expansion board can be a door board (two (2) readers on board) or an input-output board.

The Brivo ACS5000-E uses an on-board Ethernet interface to communicate via any TCP/IP networking technology that can be connected through a hub, router or switch, including Wi-Fi and satellite communications. It is an IP-enabled Access Control System that interacts with the Brivo OnAir cloud server via the Brivo OnAir application.


The Brivo ACS5000-A is identical to the ACS5000-E except that the ACS5000-A communicates to a Brivo OnSite Server instead of the Brivo OnAir cloud server.

The Brivo ACS5000-S is identical to the ACS5000-E except that the ACS5000-S cannot communicate through the web. Instead, it is programmed through an on-board interface for data management.

The ACS5008-E, ACS5008-A, and ACS5008-S are identical to their respective ACS5000 models except for a larger enclosure which allows for two additional expansion boards (for a total of up to four door boards and/or input-output boards). Also, the ACS5008 series are connected to two (2) 12V, 7Ah batteries for standby power (Batteries should be connected in parallel).

For communications to remote sites or other locations not served by wired bandwidth technologies, the Brivo ACS5000-E can be linked to a Brivo Cellular Network Router (CNR).

Because the ACS5000-E downloads all credential information and operating parameters from the Brivo OnAir cloud server, it must be properly installed and configured through the Brivo OnAir cloud server before it is fully functional.

| | |
|---|---|
|  | <p>WARNING: CHECK YOUR FIRMWARE</p> <p><i>Please contact Brivo Technical Support at 866-274-8648, option 3 or email customercare@brivo.com to confirm that your ACS5000 panel is loaded with the latest firmware. If it is not, please follow the instructions provided by Brivo Technical Support to upgrade your firmware to the latest version before proceeding with the installation.</i></p> |
|---|---|

Understand Brivo ACS5000 product compatibility.

The ACS5000 control panel is compatible with a large number of standard reader models including the following (UL tested for compatibility) reader models: Essex KTP162, Essex KTP163, HID 5355, HID 5365, HID 6005, HID 310, AWID KP-6840, and BIOSCRYPT VSmart. Brivo products are designed to accommodate the latest updates in Wiegand formats. The ACS5000 control board is compatible with Wiegand devices that transmit up to 255-bit data.

A current list of compatible readers and keypads is maintained on Brivo's website at <http://www.brivo.com>. If you have a specific model of reader or keypad that is not listed on the Brivo website, please contact Technical Support at 1-866-BRIVO-4-U to determine compatibility.

Verify that the client site is ready to support the installation.

1. Check with the IT department to ensure that the ACS5000 to be installed is compatible with the company's local area network (LAN).
 - a) The ACS5000 is equipped with a standard RJ-45 socket that accepts a CAT5 cable with an RJ-45 plug on any 10/100 Ethernet network. Physically connecting the panel is the same as plugging any computer or other device into the LAN.
 - b) Refer to the [Panel Networking Admin Interface Guide](#) (or the [Brivo OnSite Administrator's Manual](#) in the case of the ACS5000-S) for instructions on connecting to the LAN. The [Panel Networking Admin Interface Guide](#) (or [Brivo OnSite Administrator's Manual](#)) also contains a complete list of requirements regarding TCP/IP configuration parameters, firewall and proxy settings, and information about security considerations.
2. Download the appropriate [Quick Start Guide](#) from the Brivo website and provide it to the Master Administrator. This document provides instructions for registering and configuring the control panel in the appropriate application.
3. For Brivo OnAir accounts, make sure the account has been created and the control panel is registered through Brivo OnAir. If the control panel has not been registered by the dealer, the installer may either contact Brivo Technical Support for assistance or simply register the panel directly.
4. Verify that the Master Administrator and any other employee who will be accessing the system have Internet access on a computer equipped with a supported Web browser.

Verify shipping contents.

1. Locate and check the contents of the Control Panel kit.

The ACS5000 kit should contain the following parts:


- a) 1 metal chassis (MCH-CHA-0001). Packed inside the chassis are:
 - An identify label (ENG-LBL-0001) to be adhered to the inside of the door.
 - 1 cardboard box containing the MAIN BOARD (B-ACS5000) (#1181-01-0101A) and an Identity Label (#ENG-LBL-0004).
 - 1 cardboard box containing a power supply board (#1181-01-0104A).
 - 1 cardboard box containing accessories, including:
 - 1 AC transformer (#ELC-XFM-AMS1)
 - 1 7 Ah lead-acid battery (#ELC-BAT-B7001)
 - 1 power cable assembly (#ELC-PWR-A001)
 - 2 MOVs (Metal Oxide Varistors), (#ELC-MOV-M001)
 - 16 EOL (End of Line) resistors (#ELC-EOL-R001)
 - 2 10-inch 18-gauge battery wires (1 red, 1 black), with female spade-type connectors (#ELC-BAT-W001)
 - 1 AC Power Indicator LED (ELC-LED-L001).
- b) 1 lock and key set (#MCH-LCK-0001)
- c) 5 screws for power supply (#MCH-SCW-0001)
- d) 5 standoffs for the MAIN BOARD (#MCH-SFF-0001)

- e) 1 tamper switch assembly (#ELC-TMP-A001)
 - f) 1 documentation set, including:
 - Installation Manual (this document)
5. If additional DOOR BOARDS have been ordered with the control panel, locate and check the contents of each 2-Door Board Kit (B-ACS5000-DB). There may be up to 14 of these kits (for a total of 15 including the MAIN BOARD) and each should contain the following parts:
- a) 1 DOOR BOARD (#1181-01-0102A).
 - b) 5 standoffs for the DOOR BOARD (#MCH-SFF-0001)
 - c) 6 EOL resistors (#ELC-EOL-R001)
 - d) 2 MOVs (Metal Oxide Varistors) (#ELC-MOV-M001)
 - e) 1 power cable assembly (#ELC-PWR-A001)
6. If additional INPUT OUTPUT BOARDS have been ordered with the control panel, locate and check the contents of each INPUT OUTPUT BOARD Kit (B-ACS5000-IO). There may be up to 14 of these kits (for a total of 15 including the MAIN BOARD), and each should contain the following parts.
- a) 1 INPUT OUTPUT BOARD (#1181-01-0103A).
 - b) 5 standoffs for the INPUT OUTPUT BOARD (#MCH-SFF-0001)
 - c) 8 EOL resistors (#ELC-EOL-R001)
 - d) 1 power cable assembly (#ELC-PWR-A001)
7. If additional expansion chassis have been ordered with the control panel, locate and check the contents of each Expansion Chassis Kit (B-ACS5000-EXP) or Large Expansion Chassis Kit (B-ACS5008-EXP). Each standard expansion chassis can hold up to two boards, including any combination of door and/or Input Output boards. Each large expansion chassis can hold up to four boards, including any combination of door and/or Input Output boards. There may be enough Expansion Chassis kits or Large Expansion Chassis Kits to hold 1 MAIN BOARD, and any combination of 14 door and/or Input Output boards. Each should contain the following parts:
- a) 1 metal chassis (MCH-CHA-0001)
 - b) 1 lock and key set (#MCH-LCK-0001)
 - c) 5 screws for power supply (#MCH-SCW-0001)
 - d) 1 door label showing wiring and setup guide (Inside Door Label – Expansion (#ENG-LBL-0003)
 - e) 1 tamper switch assembly (#ELC-TMP-A001), containing a tamper switch (ELC-TMP-S001), wire (ELC-TMP-W001, and header connector (ELC-TMP-HC01)
 - f) 1 power supply board (#1181-01-0104A).
 - g) 1 AC transformer (#ELC-XFM-AMS1)
 - h) 1 pair of battery wires (#ELC-BAT-W001)
 - i) 1 AC Power Indicator LED (ELC-LED-L001), pre-installed in the chassis door.
 - j) 1 7 Ah lead-acid battery (#ELC-BAT-B7001)

Plan your installation.

1. Determine the size of your control panel.

- k) In addition to the control chassis, which contains the MAIN BOARD, there may be up to seven expansion chassis (or four large expansions chassis).
- l) The control chassis contains the MAIN BOARD, which also serves as a 2-door board, and may also contain either a DOOR BOARD or an INPUT OUTPUT BOARD. If a large chassis is used, the control chassis may contact any combination of 3 additional door and/or Input Output boards.
- m) Each expansion chassis may contain any combination of up to 2 door and/or Input Output boards. Each large expansion chassis may contact any combination of 4 door and/or Input Output boards.
 - Each DOOR BOARD has two terminal nodes, each of which contains a complete set of terminals for controlling a door. This means that each DOOR BOARD can be used to control two doors.
 - The same inputs and outputs that drive a door can also be used for other devices as configured through Brivo Online. In other words, DOOR BOARDS do not need to be used to control doors.

| | |
|---|---|
|  | <p>WARNING: Door Wiring</p> <p><i>If a node is to be used for a door, do not connect any other device to the following terminal blocks: REX & DOOR, DOOR LOCK RELAY, and READER.</i></p> |
|---|---|

- An INPUT OUTPUT BOARD cannot be used to control a door; however, it can be used in any circumstance that uses contact closure to track change of status.
8. You may download and complete the appropriate Installation Worksheets from Brivo's website.
 9. **For ACS5000-E control panels using the Brivo Cellular Network Router only:** If possible, verify the strength of the signal at the planned location of the Cellular Network Router.

Decide where to install each chassis.


1. Do not place the control chassis more than 100 feet from the transformer. This is the maximum cable run allowed by the ACS power supply.
2. Calculate the distance between the control chassis and each expansion chassis using the chart in Table 1 below. The calculations are based on the following restrictions.
 - a) The control chassis, containing the MAIN BOARD, and the first expansion chassis can be up to 1500 feet apart.
 - b) Each time another expansion chassis is added, the maximum distance between the first and last chassis decreases by 50 feet. So, if there are three chassis in a system, the control chassis plus two expansion chassis, the two most distant chassis can be no more than 1450 feet apart.


| Total # of chassis | Max allowed distance |
|--------------------|----------------------|
| 2 | 1500 |
| 3 | 1450 |
| 4 | 1400 |
| 5 | 1350 |
| 6 | 1300 |
| 7 | 1250 |
| 8 | 1200 |


Table 1. Maximum Distance Calculations

- c) Calculate the distance between each chassis and its associated keypad or reader. The ACS5000 does not specify a maximum distance between the chassis and a keypad or reader, *but the keypad/reader manufacturer does*. Follow manufacturer guidelines for each keypad and reader.
- d) Place each chassis within 500 feet of its associated electronic strike or latch.

Follow safety precautions.

| | |
|---|---|
|  | <p>WARNING: Fire Code</p> <p>NEVER CONNECT A KEYPAD/READER OR LOCK TO DOORS WITHOUT FIRST CONSULTING THE APPLICABLE FIRE CODE. <i>You must consult with, and get approval from, local fire officials before installing locks or devices on any doors that may be fire exits. Use of egress push buttons may not be legal. Single action exits may be required. Always obtain proper permits and approvals in writing before installing equipment</i></p> |
|---|---|

| | |
|---|--|
|  | <p>WARNING: Fail Secure Mode</p> <p>DO NOT INSTALL THE SYSTEM IN THE FAIL SECURE MODE UNLESS PERMITTED BY THE LOCAL AUTHORITY HAVING JURISDICTION. <i>Doing so may cause interference with the operation of panic hardware.</i></p> |
|---|--|

| | |
|--|--|
|  | <p>WARNING: Heat and Noise</p> <p>DO NOT INSTALL THE CONTROL PANEL IN AN AREA THAT COULD DROP BELOW 32 DEGRESS FAHRENHEIT OR EXCEED 120 DEGREES. <i>Doing so can cause damage to components within the control panel.</i></p> <p>DO NOT INSTALL THE CONTROL PANEL NEAR OR ON THE SAME CIRCUIT WITH DEVICES THAT PRODUCE LARGE AMOUNTS OF ELECTRICAL NOISE. <i>This includes grinders, electric motors and blowers, electrical switch-gear and other electrically noisy equipment. Electrical noise can interfere with panel operation. If it is not possible to install the panel away from such sources of noise, it is advisable to isolate it by using a high-quality UPS (Uninterruptible Power Supply) between the AC Mains and the transformer.</i></p> |
|--|--|

- Wiring methods should be in accordance with the National Electrical Code, ANSI/NFPA 70.
- Category 5 cabling is the minimum performance category recommended.
- If powered by 12VDC, the power supply must be a UL294 listed power supply.

For ACS5000-E Panels using the Brivo Cellular Network Router



NOTE: Please refer to the Brivo CNR Configuration Guide on the Brivo website (<http://www.brivo.com/wp-content/uploads/2015/01/S-Brivo-CNR-Configuration-Guide.pdf>) for step-by-step instructions on the configuration of the Brivo CNR with the ACS5000-E panel.



WARNING: Cable Connectors

THE CONNECTORS ON THE INTERNAL ANTENNA CABLE ARE VERY FRAGILE. Be very careful when plugging in the equipment.



WARNING: Attach antenna before powering the Brivo CNR.

NEVER POWER UP A BRIVO CNR BEFORE CONNECTING THE ANTENNA.



WARNING: FCC RF Exposure

NO ONE SHOULD BE WITHIN 20cm (8 inches) OF THE ANTENNA WHEN IT IS TRANSMITTING, as per the FCC RF exposure requirements for mobile transmitter end products using the Galtronics, 0 dBd antenna.

General Assembly Procedures

Assemble and mount chassis.

1. Stick the identity label (ENG-LBL-0001) to the inside of the metal chassis.
2. Install the supplied nylon stand-offs into each chassis by inserting them from the rear.



NOTE: *This step MUST be performed before the chassis is mounted to the wall. Once the chassis has been mounted, it is not possible to insert the stand-offs.*

- a) There are five stand-offs for each board, but there are more holes than that in the chassis.
 - b) Determine which holes you will use based on the size of the boards you are installing.
3. Mount the chassis.
 - a) Use four bolts to mount each chassis securely in place.
 - b) Make sure the chassis door can swing open freely to allow for access after the installation is complete.
 4. Remove any knock-outs that may be required to accommodate conduit or wiring.



WARNING: Knockouts

DO NOT ATTEMPT TO REMOVE THE KNOCKOUTS WITH A HAMMER. *Banging on the knockouts may result in shock to the circuit boards, which could cause permanent damage. Pry them out using a screwdriver.*

5. Assemble the chassis.
 - a) Install the power supply board in each chassis first. If you install the MAIN BOARD or a Door or INPUT OUTPUT BOARD first, you may find it difficult to position your screwdriver in a way that will allow you to install the power supply board later.
 - b) Install the MAIN BOARD in the control chassis.
 - Install each board by aligning it with the previously installed stand-offs and then gently pressing it into place. You will hear a slight click as the board settles into the locked position on the standoffs
 - c) If there is a DOOR BOARD or an INPUT OUTPUT BOARD for the control chassis, install that now, using the procedures described for the MAIN BOARD.
 - d) If there are expansion chassis, install the appropriate DOOR BOARDS and/or INPUT OUTPUT BOARDS in each chassis at this time, using the procedures described for the MAIN BOARD.
 - e) You will note that the control panel kit contained an adhesive Identity Label. This label should be affixed to the inside of the front door of the control chassis, beneath the large wiring guide.
6. Install the tamper switch in each chassis.
 - a) Install the tamper switch in each chassis by removing the hex collar, seating the switch inside the provided mounting bracket, and reattaching and tightening the hex collar.

Connect the MAIN BOARD and all expansion boards to a power supply board

1. Connect the MAIN BOARD in the control chassis to the power supply board.

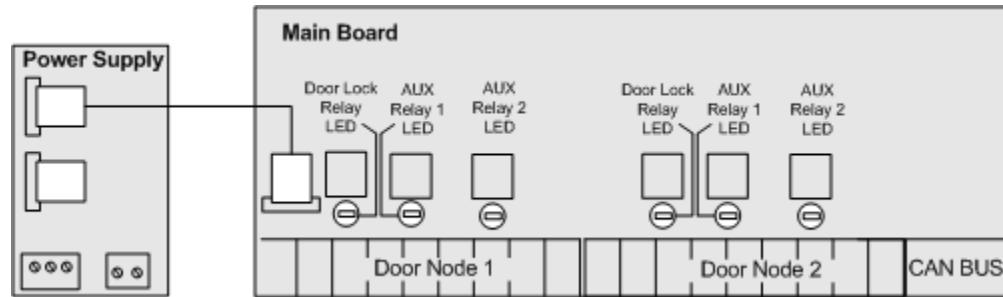


Figure 1. Connect MAIN BOARD to Power Supply

2. If there is a DOOR BOARD or an INPUT OUTPUT BOARD in the control chassis, connect that to the power supply board.

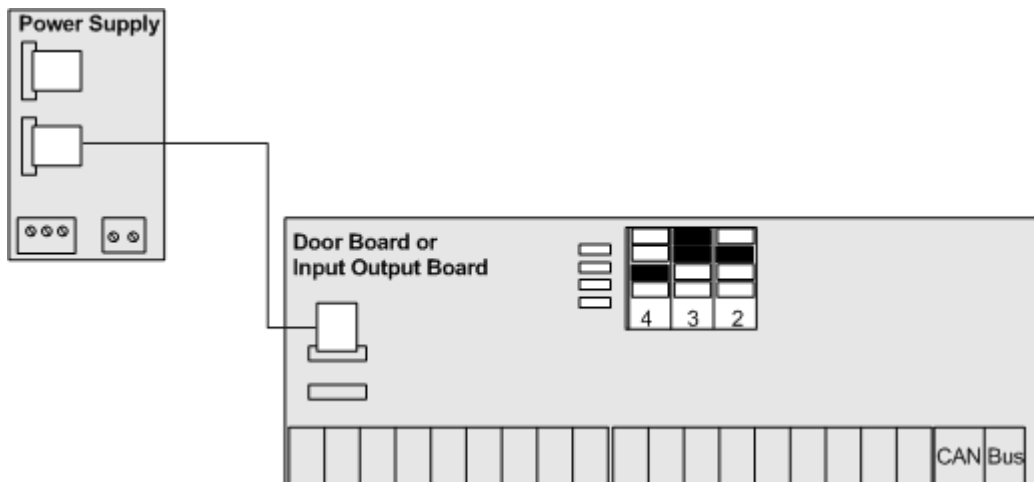




Figure 2. Connect Expansion Board to Power Supply

3. If there are expansion chassis, connect each DOOR BOARD and INPUT OUTPUT BOARD to the power supply board in each chassis.
 - a) Use the power cable that came with each circuit board kit.
 - b) The Power connector uses a PC-style 4-wire molded (Molex) connector to deliver +12V, Ground, AC, Power Detection, and Earth Ground to each board from the power supply.

| | |
|---|---|
|  | <p>WARNING: Power Supply</p> <p>DO NOT USE ANY POWER SUPPLY OTHER THAN THOSE SUPPLIED WITH YOUR BRIVO PRODUCT.</p> |
|---|---|

| | |
|---|---|
|  | <p>WARNING: Powering Electronic Strikes and Latches</p> <p>DO NOT POWER ELECTRONIC STRIKES AND LATCHES WITH THE BATTERY (OR OTHER POWER SOURCE) USED TO POWER THE CONTROL PANEL; DOING SO WILL CAUSE DAMAGE TO THE BRIVO CONTROL PANEL. USE ONLY A UL LISTED BURGLAR ALARM OR ACCESS CONTROL SYSTEM TO POWER ELECTRONIC STRIKES AND LATCHES.</p> |
|---|---|

Connect the AC Power Indicator LED for each chassis to the power supply for that chassis.

1. Mount the AC power indicated LED on the front door of the chassis by pushing it through the hold in the upper left corner of the door and securing using the bolt and washer included with your packaging.
2. Connect the white and green wires from the AC power indicated LED to the 16.5 VAC terminals of the power supply board.

Connect the tamper switch to the MAIN BOARD and to one board in each expansion chassis.

1. Connect the tamper switch to the MAIN BOARD in the control chassis.

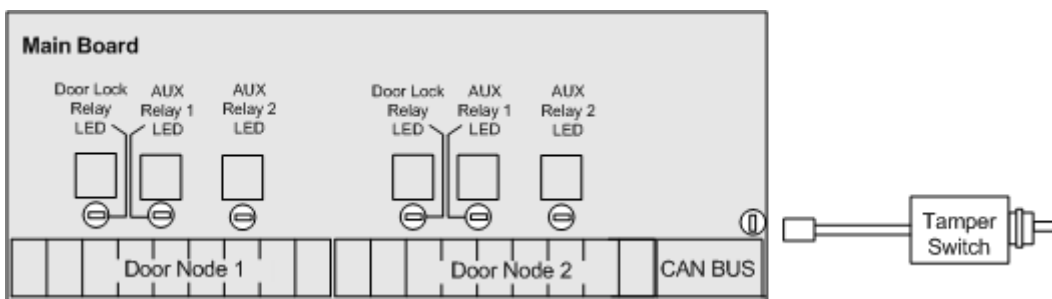


Figure 3. Connect Tamper Switch to MAIN BOARD

- a) The tamper header connects to the supplied tamper switch.
 - b) The header connector for the tamper switch should be connected to the TAMPER pins located on the lower right side of the MAIN BOARD and each expansion board.
2. Connect the tamper switch to one expansion board (DOOR BOARD or INPUT OUTPUT BOARD) in each expansion chassis.

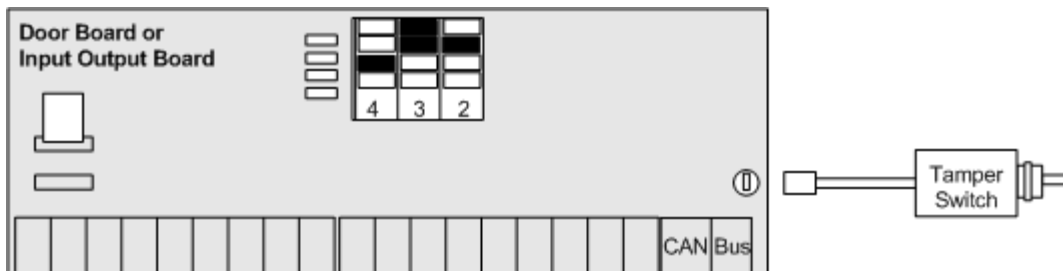



Figure 4. Connect Tamper Switch to Expansion Board

| | |
|---|--|
|  | <p>NOTE: If a chassis has two or more boards, connect the tamper switch to the upper board.</p> |
|---|--|



NOTE: If the tamper switch is not going to be used, leave the supplied jumper on the connector to keep the circuit closed.

Connect the battery leads to the power supply



WARNING: Backup Battery

DO NOT CONNECT THE BACK-UP BATTERY AT THIS TIME. Premature connection of the battery terminals may cause damage to the control panel.

1. Connect the battery wires (#ELC-BAT-W001) that come with each circuit board kit to the power supply BATTERY INPUT terminal block.
 - a) Connect the black wire to the ground (GND) terminal.
 - b) Connect the red wire to the +12V terminal.

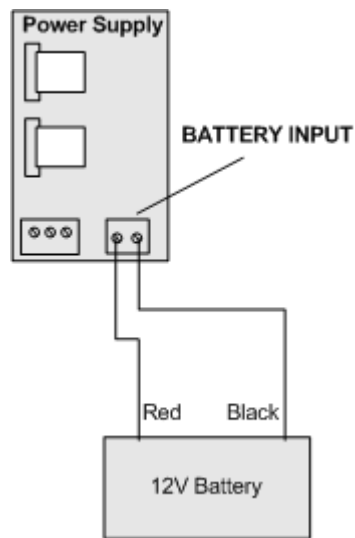


Figure 5. Connect Battery Leads to Power Supply

Wire the AC transformer to the power supply



WARNING: Transform Connection

DO NOT CONNECT THE TRANSFORMER TO A SWITCHED OUTLET OR OTHERWISE CONTROLLED AC OUTLET.

DO NOT CONNECT THE TRANSFORMER TO THE 120 VAC OUTLET UNTIL ALL WIRING IS COMPLETED.

1. Use 18 AWG wire (minimum grade) to connect the screw terminals on the transformer to the 16.5 VAC POWER INPUT terminal block on the power supply board, using terminals AC1 and AC2.

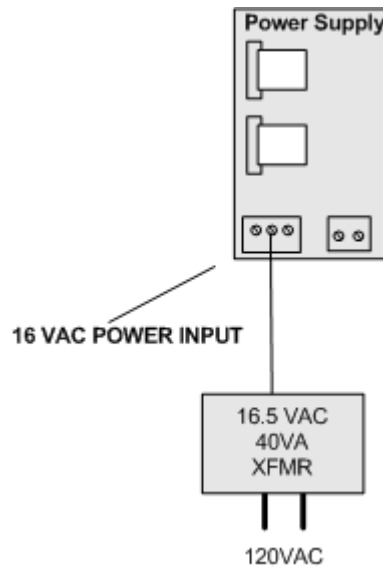



Figure 6. Connect AC Transformer to Power Supply

Powering and Testing Procedures

| | |
|---|---|
|  | <p>WARNING: Power Precautions</p> <p><i>BEFORE POWERING UP THE CONTROL PANEL, CHECK THE FOLLOWING CONNECTIONS. MAKE SURE THAT:</i></p> <ul style="list-style-type: none"> • <i>The transformer is NOT plugged into the 120 VAC outlet.</i> • <i>All wiring to the back-up battery is DISCONNECTED.</i> |
|---|---|

Power up the control panel.

1. Plug the transformer into a 120 VAC outlet.
2. Check ALL power indicators:
 - a) Check the power supply board to confirm that the green LED is on and blinking, indicating that AC power is being supplied to the board and that the board is producing 12 VDC power.
 - b) Check the MAIN BOARD to confirm that the LOCAL HRTBT (local heartbeat) and MAIN HRTBT (main heartbeat) have come on and are blinking.
 - The local heartbeat should begin blinking immediately.
 - The main heartbeat can take 30-60 seconds to establish a steady beat.

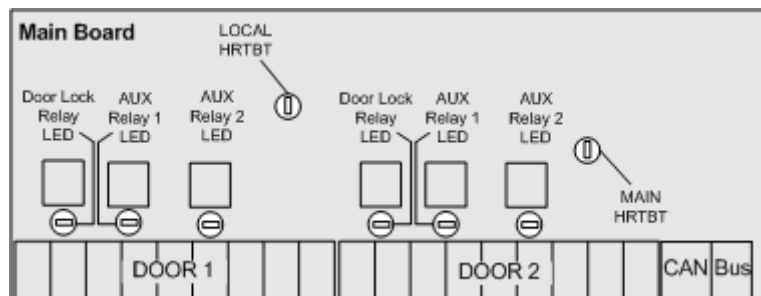


Figure 7. MAIN BOARD Heartbeats

- c) For ACS5000-E control panels using a Brivo Cellular Network Router, make sure the Brivo Cellular Network Router is powered when connecting it to the MAIN BOARD.

- d) Check each DOOR BOARD to confirm that the LOCAL HRTBT has come on and is blinking, indicating that 12 VDC power is present.

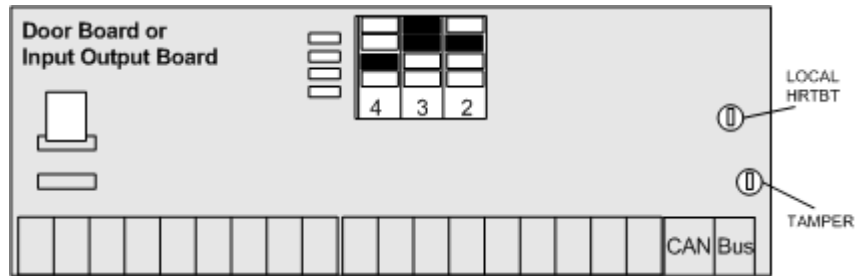


Figure 8. Expansion Board Local Heartbeat

- e) Check each INPUT OUTPUT BOARD to confirm the LOCAL HRTBT has come on and is blinking.
- f) If any of these power indicators is not correct (i.e., the LED light does not come on or does not begin blinking, check the connections from the power supply to each of the circuit boards. If all connections are good but there is a still a problem with the power indicator, contact Technical Support.



NOTE: A steady light is an indication of a problem, just as much as no light is.

3. If ALL power indicators are correct, attach the back-up battery and check that ALL indicators remain the same. Only then should you go on to Installation Procedures.

Installation Procedures

Establish CAN BUS Wiring

1. If there is an expansion board in the control chassis, connect it to the MAIN BOARD.

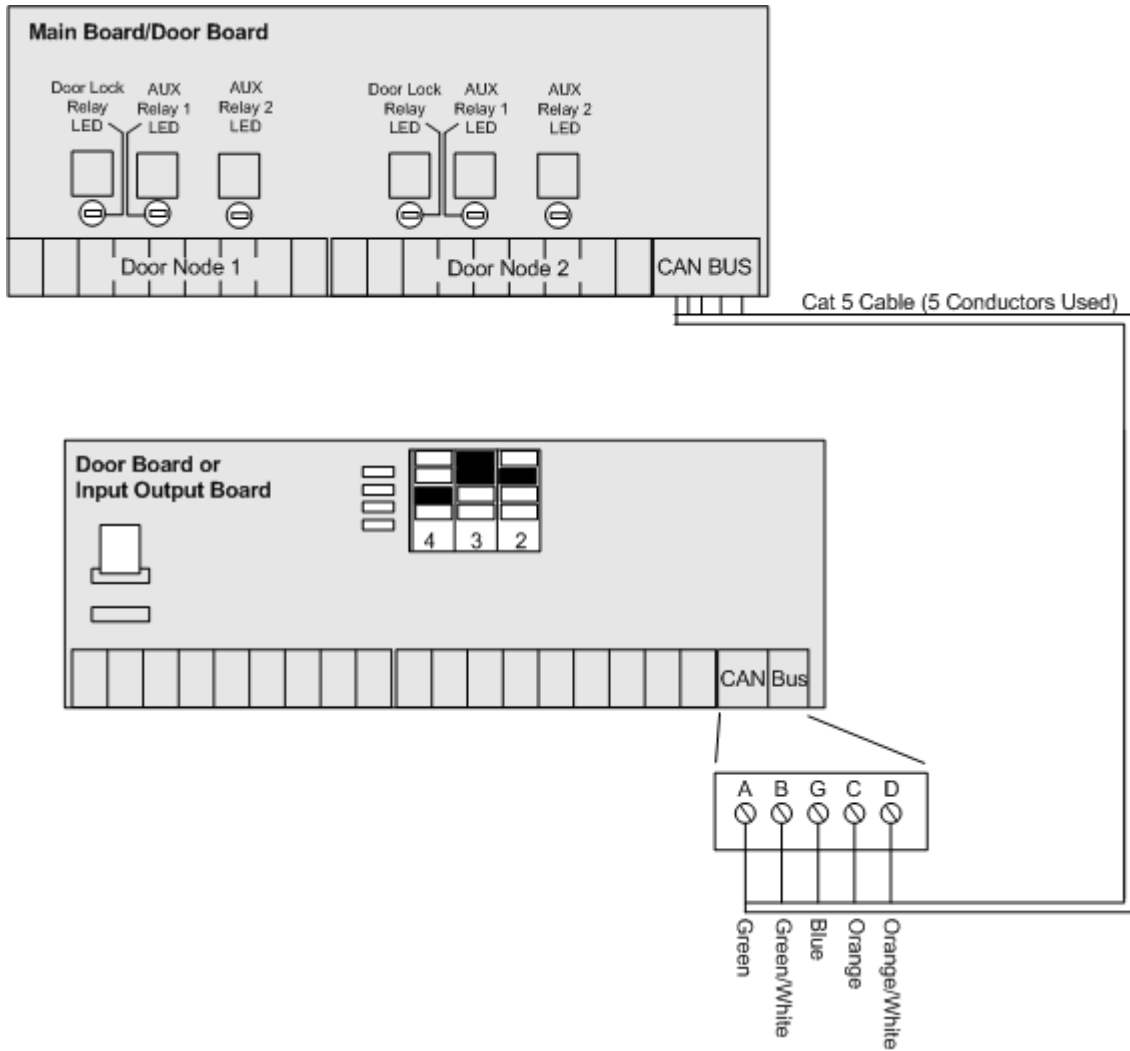


Figure 9. Connect Expansion Board to MAIN BOARD

2. When dealing with expansion chassis, connect the second expansion board to the first one in each expansion chassis.

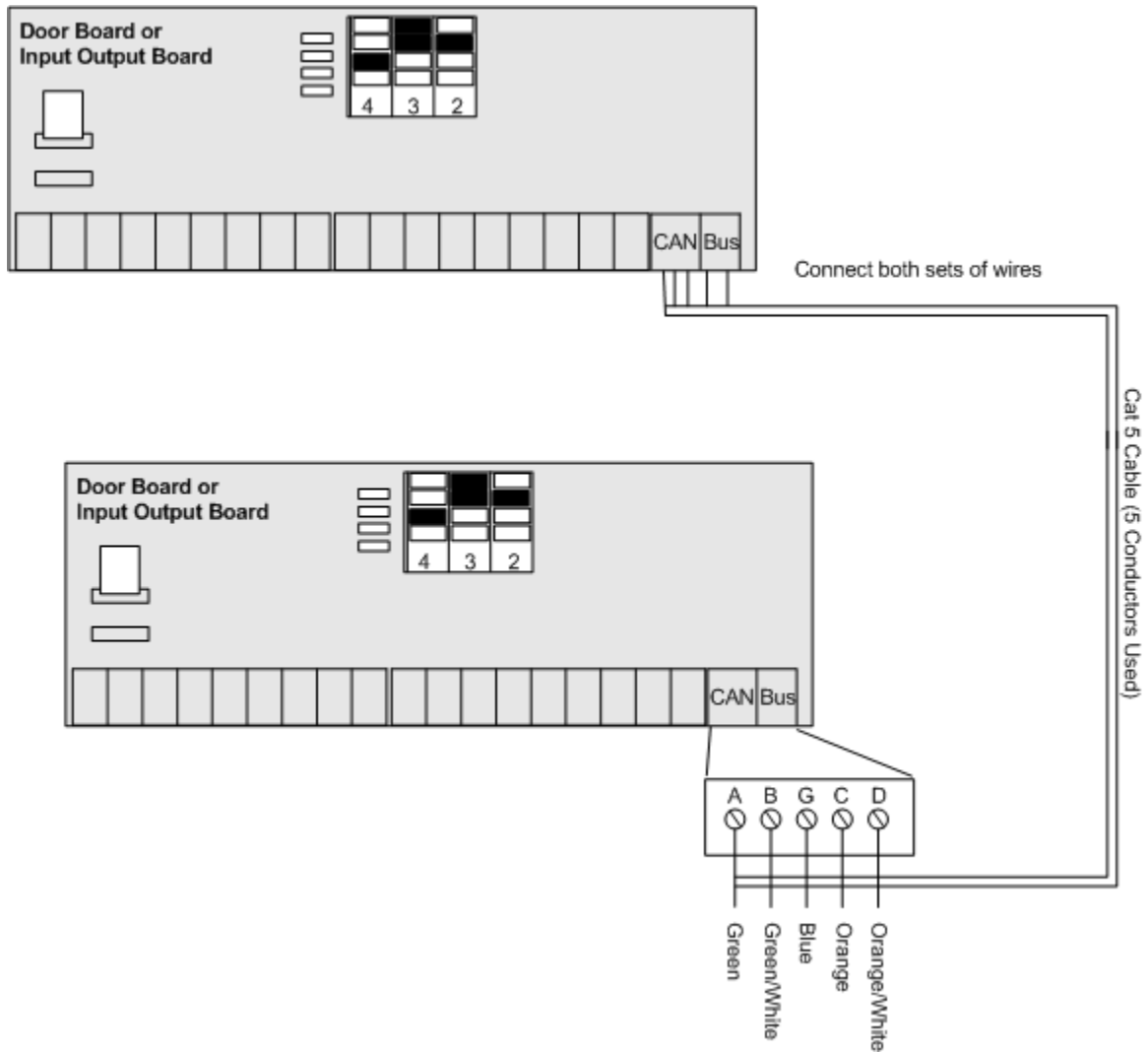


Figure 10. Connect Expansion Boards in Expansion Chassis

3. Daisy-chain the complete set of chassis together.
 - a) For example, if there are six boards in the control panel, there would be a MAIN BOARD and five expansion boards (E1, E2, E3, E4, and E5). Each expansion board could be either a DOOR BOARD or an INPUT OUTPUT BOARD.
 - b) To daisy-chain the boards together: (See Figure 11 below.)
 - Wire E5 to E4 in Expansion Chassis 2.
 - Wire E4 in Expansion Chassis 2 to E3 in Expansion Chassis 1.
 - Wire E3 to E2 in Expansion Chassis 1.
 - Wire E2 in Expansion Chassis 1 to E1 in the Control Chassis.
 - Wire E1 to the MAIN BOARD.

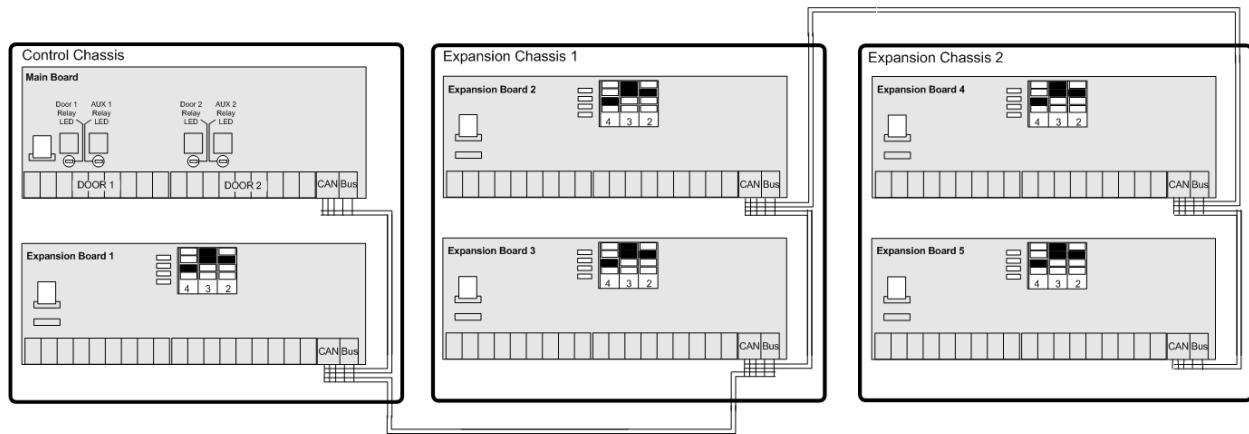



Figure 11. CAN BUS Configuration

4. Use standard CAT5 or CAT6 (unshielded twisted pair) cabling to connect all the boards in the control panel via the CAN BUS terminals.
5. Always connect like terminals to one another (i.e., A to A, B to B, and so on.).
6. Follow the color coding shown on the wiring diagram on the inside of the chassis door.

| | |
|---|---|
|  | <p>WARNING: CAN BUS Wiring</p> <p>THE A/B CIRCUITS MUST SHARE A TWISTED PAIR, AND THE C/D CIRCUITS MUST SHARE A TWISTED PAIR. Otherwise, the distance and data integrity of the communications channel will be compromised.</p> <p>WHEN USING JUST A MAIN BOARD, THE JUMPER MUST REMAIN ATTACHED TO THE CAN TERM HEADER ON THE MAIN BOARD. <i>If expansion boards are used, this jumper remains attached on the very last board(s) in the daisy chain; i.e. It must be removed from all boards except the endpoint of the daisy chain.</i></p> <p><i>(NOTE: The MAIN BOARD does not have to be an endpoint in the control panel; the control panel may be in the middle of the chain with expansion boards branching out in either direction.)</i></p> |
|---|---|

7. On the first board, connect the wires of the CAT5/CAT6 cable to the CAN BUS terminal block as follows:
 - a) Connect the green wire to the A terminal.
 - b) Connect the green and white wire to the B terminal.
 - c) Connect the blue wire to the G (ground) terminal.
 - d) Connect the orange wire to the C terminal.
 - e) Connect the orange and white wire to the D terminal.
8. After all the wires of the CAT5/CAT6 cable are connected to the first board, connect the wires to the second board in the same manner.
9. Connect the CAN NODE ADDRESS jumpers. The silkscreen next to the CAN NODE ADDRESS pins shows how to position the jumpers for first four addresses.
10. Positions for additional address values are shown in the diagram below.

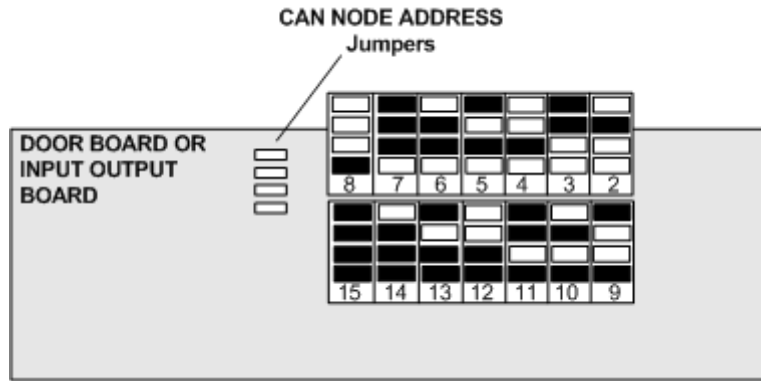




Figure 12. CAN NODE ADDRESS Jumpers

| | |
|---|---|
|  | <p>WARNING: CAN BUS Wiring</p> <p>The CAN NODE ADDRESS jumpers are used to set the address of each board on the CAN BUS. DO NOT ASSIGN TWO BOARDS THE SAME ADDRESS, OR THE BUS WILL NOT FUNCTION PROPERLY.</p> <p>Set these values sequentially, starting with 2 as the first expansion board address; address 1 is the MAIN BOARD. Record all addresses on the Installation Worksheet. These jumper settings will map to board numbers when the control panel is configured in the application.</p> |
|---|---|

Ignore the AEN Port

| | |
|---|---|
|  | <p>WARNING: AEN Port</p> <p>DO NOT CONNECT THE AEN PORT FOR ANY REASON. This will significantly interfere with the function of the external network.</p> |
|---|---|

If instructed by Technical Support, connect a laptop to the MAIN BOARD

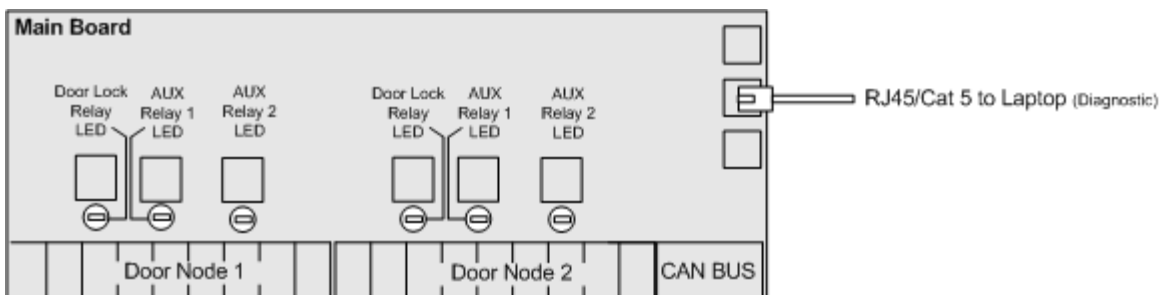


Figure 13. Connect Laptop to MAIN BOARD

1. Connect a laptop to the ADMIN port on the MAIN BOARD according to the [Networking Admin Interface Guide](#), using a standard Ethernet cable or a patch cable.
 - a) The ADMIN port is a 10/100 Ethernet interface with RJ45 jack for connecting the MAIN BOARD to a laptop or PC to gain access to the local administrative interface for debug and manual configuration utilities.

- b) The port uses auto-sensing technology to determine polarity, which permits either a straight or crossover cable to be used between the board and the computer.

Connect the LAN to the MAIN BOARD

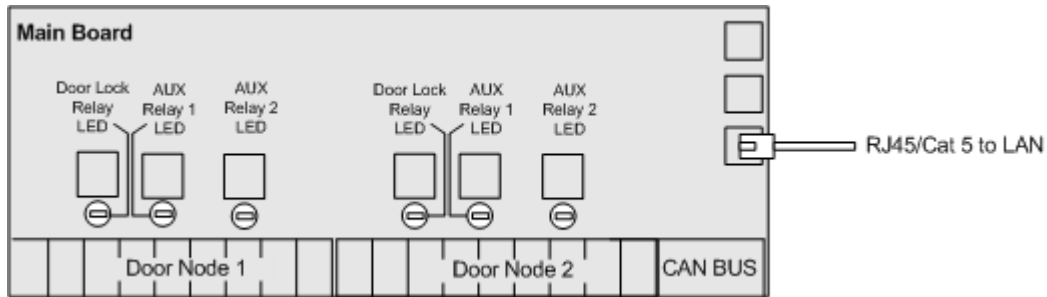


Figure 14. Connect LAN to MAIN BOARD

1. Connect the LAN to the MAIN BOARD according to the instructions in the [Networking Admin Interface Guide](#) (or the [Brivo OnSite Administrator's Manual](#) in the case of the ACS5000-S).
 - a) The LAN port is a 10/100 Ethernet interface with an RJ45 jack for connecting the MAIN BOARD to a Local Area Network in order for it to gain connectivity to the Internet and the appropriate server depending upon the version of MAIN BOARD.
 - b) Use a straight, (i.e., non-crossover) cable to connect this port to a local hub, switch or router that has connectivity to the Internet.

Connect the Brivo CNR to the MAIN BOARD (only if using a cellular connection)

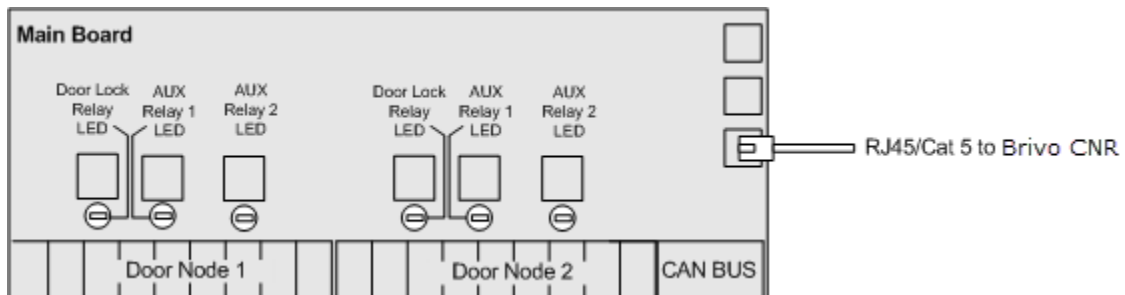



Figure 15. Connect Brivo CNR to MAIN BOARD

1. Connect the Brivo CNR to the MAIN BOARD via the LAN port and follow the instructions in the [Brivo CNR Configuration Guide](#).
 - a. The LAN port is a 10/100 Ethernet interface with an RJ45 jack for connecting the MAIN BOARD to the Brivo CNR in order for it to gain connectivity to the Internet and the Brivo OnAir cloud server.
 - b. Use a straight, (i.e., non-crossover) cable to connect this port to the Brivo CNR which will provide cellular connectivity to the Internet.

Wire Doors

For each board node to be used for controlling a door, as indicated in the completed *Installation Worksheet*, make the following connections.

| | |
|---|--|
|  | <p>NOTE: Doors can be wired to the MAIN BOARD or to expansion boards, including both DOOR BOARDS and INPUT OUTPUT BOARDS.</p> |
|---|--|

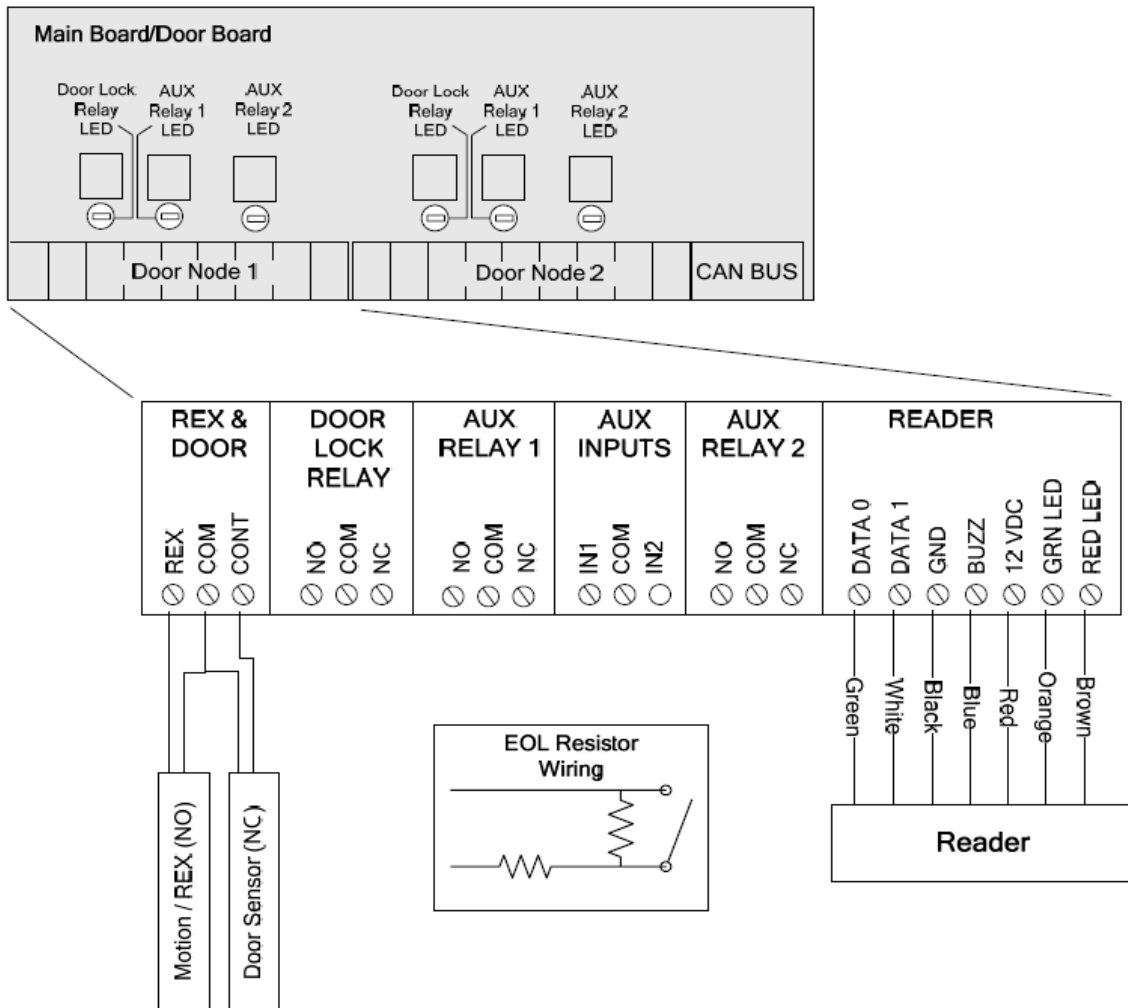


Figure 16. Wire Doors

1. Wire the REX & DOOR terminal block.
 - a) Connect the Normally Open (NO) contacts of the REX device to the REX and COM terminals.
 - When this switch closes, it initiates a Request-to-Exit (REX) program sequence, as defined by the appropriate application, including the option to activate the door or other relays, fire the door strike, and suppress any “Door Forced” messages.
 - b) Connect the Normally Closed (NC) contacts of the Door Sensor to the COM and CONTACT terminals.
 - In this context, an NC switch is considered closed when the door is closed (magnet is present), and open when the door is open (no magnet is present).
 - When the switch is open, the control panel interprets this input as a “Door Open” condition. When the switch is closed, the control panel interprets this input as a “Door Closed” condition.

- This circuit provides door status information (open/closed) to the control panel so the corresponding application can take appropriate action locally, or send email notifications if necessary.
2. Wire the DOOR LOCK RELAY terminal block.
 - a) Connect the door latch to the COM terminal and either the NO or NC terminal.
 - b) The DOOR LOCK RELAY provides both NO (Normally Open) and NC (Normally Closed) contacts, and is driven in response to the presentation of valid credentials or the programmable REX input.
 - c) Timing and other aspects of relay activation are programmed through the corresponding application.
 3. If used for an alarm shunt, wire the AUX RELAY 1 terminal block. If not used for an alarm shunt, AUX RELAY 1 can be used for a variety of purposes.
 4. Wire AUX RELAY 2. Like the AUX RELAY 1, this terminal block can be used for a variety of purposes, and are programmed via the corresponding application.



NOTE: *The fully programmable AUX RELAYs provide both NO (Normally Open) and NC (Normally Closed) contacts.*



WARNING: Relay Amp Limit

THERE IS A 3 AMP 24 VOLT DC LIMIT ON THROUGH CURRENT FOR ALL RELAYS.

5. If used, wire the AUX INPUTS terminal block.
 - a) The IN1 and IN2 terminals are contact closure type inputs that share a COM terminal.
 - b) The terminals can be used for a variety of purposes, and are programmed through the application.
6. Wire the Reader switches to the last block of terminals in this door node.




NOTE: *Refer to the [Reader/Keypad Wiring Guide](#) for Brivo approved devices and connection diagrams.*

- a) Use the wire recommended by the manufacturer of the reader or keypad. If no wire is recommended, use a minimum of 22 AWG wire with sufficient conductors that include shield (drain).
- b) The reader interface uses standard Wiegand wiring conventions. Connect the wire properly to the terminal block on the appropriate board node. Following is a typical, *but not universal*, wiring guide. Refer to the [Reader/Keypad Wiring Guide](#) for guidelines related to your specific reader or keypad.
 - Connect the green reader wire to the DATA0 terminal. This is the standard Data 0 circuit for Wiegand readers.
 - Connect the white reader wire to the DATA1 terminal. This is the standard Data 1 circuit for Wiegand readers.

- Connect the black reader wire to the GND terminal. This is the standard Ground circuit for the reader.
- Connect the blue (or yellow) reader wire to the BUZZ terminal. This is the standard Buzzer circuit for the reader.
- Connect the red reader wire to the 12VDC terminal. This provides +12VDC to power the reader.
- Connect the orange reader wire to the GRN LED terminal. This is the green LED circuit.
- Connect the brown reader wire to the RED LED terminal. This is the red LED circuit.

7. Install MOVs.

| | |
|---|--|
|  | <p>WARNING: Noise Suppression</p> <p><i>INSTALL THE TRANSIENT NOISE SUPPRESSION DEVICE (MOV) SUPPLIED WITH THE CONTROL PANEL.</i></p> |
|---|--|

- Install the MOV across the conductors, as close as possible to the electric strike or latch. This will normally be at the connection from the field-installed wiring to the pig tail or screw terminals of the electronic strike or latch.
- Use the wire recommended by the manufacturer of the electric strike or latch. If no wire is recommended, use a minimum of 18 AWG wire with sufficient strands for the specific electronic strike or latch.

Wire INPUT OUTPUT BOARDS

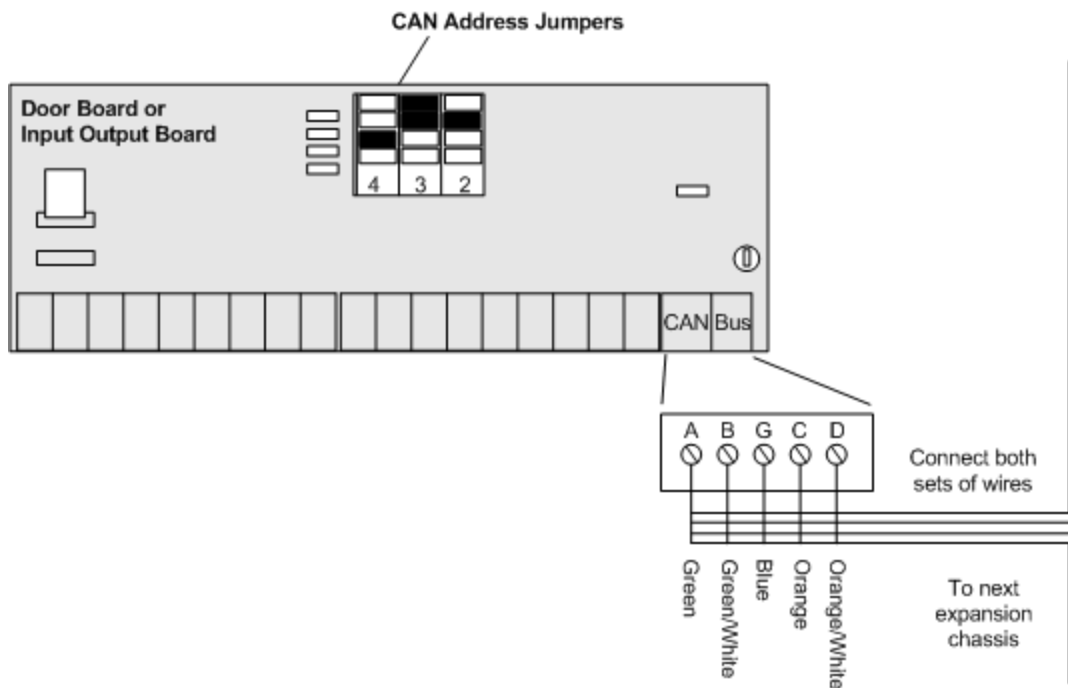


Figure 17. Wire INPUT OUTPUT BOARD

1. An INPUT OUTPUT BOARD has 8 output relays and 8 inputs. The inputs can be wired for line supervision.
2. The ACS5000 is capable of 4-state input monitoring at each input connector, whether it be on the Main Board
3. d, a Door Board, or an Input Output Board. This allows for monitoring of not only open and closed switches, but cut and short-circuited lines as well. This can only happen when the EOL (end-of-line) resistor wiring is installed.
 - a) You will need two 2Kohm resistors for each input.
 - b) The resistors are installed on the input lines as close to the switch as possible, and as far from the ACS5000 control panel.
 - c) One resistor is placed in parallel with the switch, so that one end of the resistor is connected to wire 1 from the switch, while the other end is connected to wire 2 from the switch.
 - d) The second resistor is placed in series with the switch, so that one end of the resistor is connected to wire 1 from the switch, while the other end is connected to the wire leading to the ACS5000 control board.
 - e) The other wire from the ACS5000 is connected to wire 2 from the switch, as shown in Figure 18.

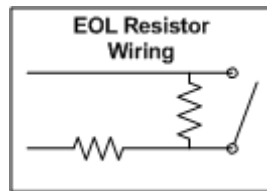


Figure 18. EOL Resistor Wiring



WARNING: Powering Electronic Strikes and Latches

DO NOT POWER ELECTRONIC STRIKES AND LATCHES WITH THE BATTERY (OR OTHER POWER SOURCE) USED TO POWER THE CONTROL PANEL; DOING SO WILL CAUSE DAMAGE TO THE BRIVO CONTROL PANEL. USE ONLY A UL LISTED BURGLAR ALARM OR ACCESS CONTROL SYSTEM TO POWER ELECTRONIC STRIKES AND LATCHES.

Ground the control chassis



WARNING: Grounding the control chassis

Grounding the chassis is an important final step in the installation process and should not be ignored. If the chassis is not (or is improperly) grounded, this may cause issues with the electronics of the panel and may have implications involving warranty return of equipment.

1. Wire the control chassis to the green Earth Ground screw.
2. Use 18 AWG or larger wire to connect the chassis to a suitable earth ground.

3. The ground contact point is in the lower panel area, near the hinge for the door and in front of the power supply.

| Revision Table | Date | Author | Change |
|----------------|------------|--------|---|
| 1.0 | 10/1/2016 | LMW | Merged separate ACS5000 A/E/F/S manuals into a single installation manual |
| 1.1 | 11/30/2016 | LMW | Added clarification for FIPS-201 compliance |
| 1.2 | 01/06/2017 | LMW | Added ANSI/NFPA70 compliance language |
| 1.3 | 02/15/2017 | LMW | Added parts and service clarification |
| 1.4 | 02/21/2017 | LMW | Added UL compliance language per UL request |
| 1.5 | 04/26/2017 | LMW | Removed reference to the F panel and Brivo OnAir for Government |

P-MAN-PUB-ACS5000 A-E-F-S Installation Manual (ENG-DOC-003)