

## 1 Cautions and Preparation

The product is designated FOR INDOOR USE ONLY. The product is sensitive to Electrostatic Discharges (ESD). The product may be damaged or destroyed if handled or wired improperly. Follow all safe handling and installation precautions at all times.

If you are unsure about any of the content in this guide, or have any questions, please call Brivo Technical Support at (866) 274-8648 option 3, or email [customercare@brivo.com](mailto:customercare@brivo.com).

**ALERT:** If this unit is being powered via a DC power supply, ensure there is no POE (power over Ethernet) supplied to the Ethernet port. Failure to do so may result in damage to this device.

**ALERT:** Wiegand Readers and Wet Relays share up to 750mA of current together. Total output power is limited by capability of input power supply. If a device attempts to sink more than the amount of available power, the product may shut down all devices attached to 12V until the load is removed, and/or brown out, and/or fail.

## 2 Wiring, Signal and Power Specifications

Wiring	Maximum Length	Minimum Gauge
Ethernet / POE	100 meters (~300 feet)	Cat5e
Wiegand	150 meters (~500 feet)	22 AWG
Input / Output Circuits	150 meters (~500 feet)	22 AWG (18 AWG recommended)

**Note:** Minimum wire gauge is dependent upon cable length and current requirements.

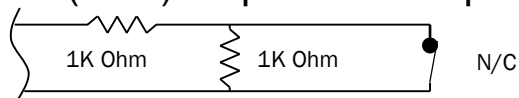
Power Out	Voltage	Current (max)
Relays (wet)	12VDC	750mA (combined)
Wiegand Readers	12VDC	750mA (combined)
Relays (dry – inductive)	30VDC (max)	2A

Power In	Voltage	Power (min)
Auxiliary Input	12VDC	13 Watts
Power over Ethernet	44-57VDC	13 Watts

**Note:** IP Door Controller is to be connected to UL Listed Commercial 294 or 603 Power Supply for Auxiliary, or UL Listed 294/294B PoE Listed power supply for Power over Ethernet.

UL/ULC 294 Performance Levels					
Model Number	Access Control Line Security Level	Destructive Attack Level	Endurance Level	Stand-by Power Level	Conditions
Brivo ACS-IPDC followed by the suffix 1E, 2E, 1A, 2A, 1S, 2S	Level I	Level I	Level IV	Level I	N/A

### 2a Optional End Of Line (EOL) Supervised Inputs



**Note:** EOL Supervision is provided by the addition of two 1K Ohm resistors between the IP Door Controller and the input to be supervised, as per the above diagram.

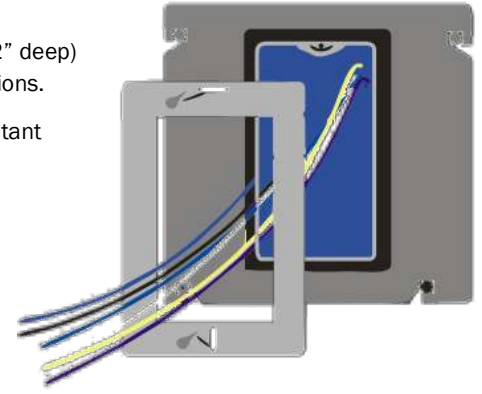
### 3 Preparation

**Install Electrical Box.** For new installations, use a 4" square electrical box (minimum of 1 1/2" deep) with a single-gang plaster ring. Use Wiremold® V5744S or BW35 for surface-mount installations.

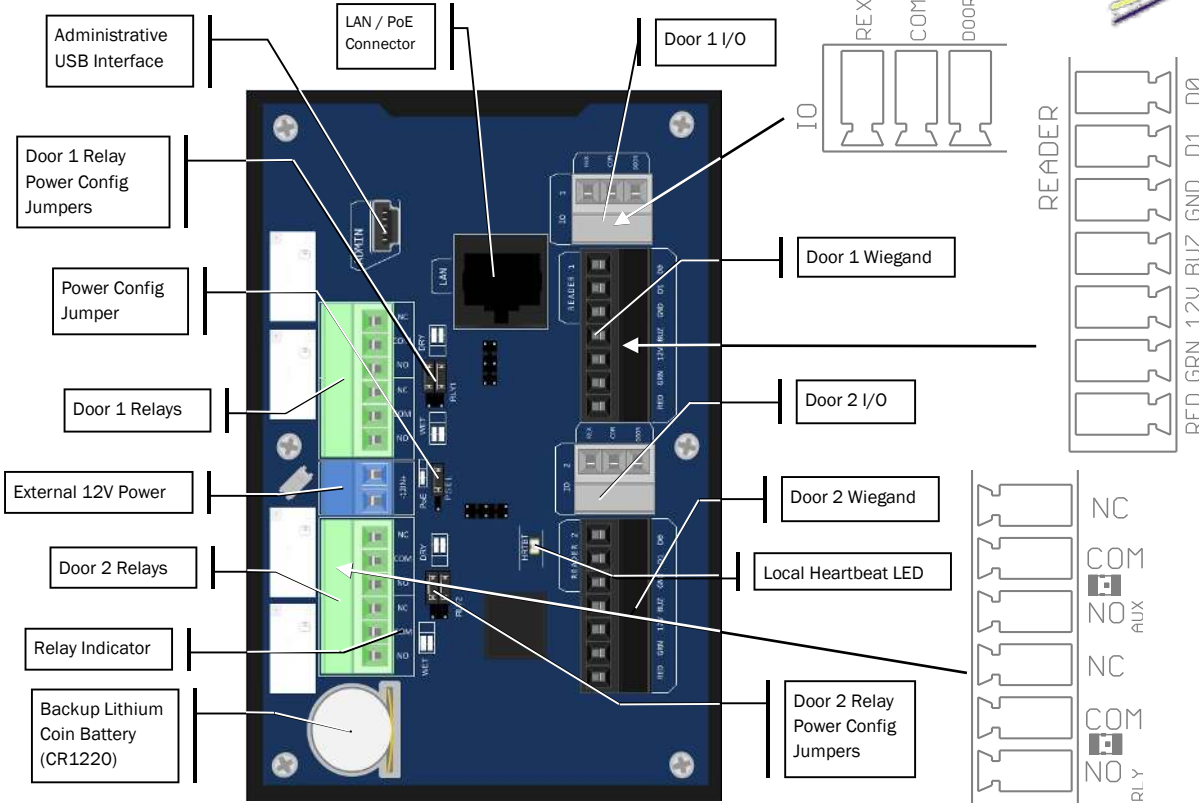
To prevent tampering: Conceal plaster ring mounting screws with drywall or use tamper resistant screws.

Remove metal back-plate from unit and mount to electrical box **as shown to the right.**

Position the IP Door Controller and secure mount with a screw.



### 4 Connections



Signal	Description
REX	Request-to-exit Contact
COM	Common Earth
DOOR	Door Contact

Signal	Description
RED	Red LED Control
GRN	Green LED Control
12V	+12VDC Power
BUZ	Buzzer Control
GND	Ground
D1	Wiegand Data 1
D0	Wiegand Data 0

Signal	Description
NC	Normally Closed Relay Contact
COM	Common Earth
NO	Normally Open Relay Contact

Back Panel Connection	Description
<b>Administrative USB Interface</b>	Connect via Mini-USB to access administrative interface via web browser
<b>LAN / PoE Connector</b>	Connect to network. May also carry 802.3af/at power
<b>Backup Lithium Battery</b>	Battery provides power to keep time in case of primary power outage <i>CAUTION: Disconnect before servicing</i>
<b>Local Heartbeat</b>	LED indicates proper function.
<b>Relay Indicator</b>	LED lights when relay is engaged (one per relay)
<b>Relay Power Configuration</b>	Two jumpers select between WET and DRY modes of operation. When jumpered for WET, power is supplied through the relay in both normally closed and normally open configurations
<b>Power Configuration</b>	Jumper selects between PoE and Auxiliary Power

Front Panel	Meaning
<b>Status</b>	Solid: Unit has Power
<b>Active</b>	Off / Solid: Unit Starting Blinking: Unit Operational
<b>Network</b>	Orange LED: 100Mbit Link Blue LED: Network Activity Right Blue LED: Good Link